

# The Eurostat offer



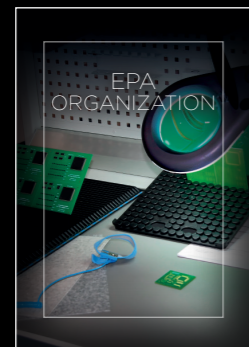
RIGID  
PACKAGING



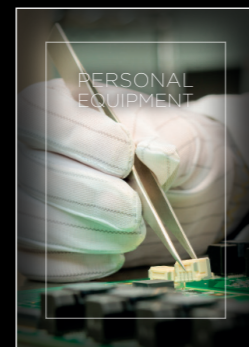
FLEXIBLE  
PACKAGING



INSTRUMENTATION  
& IONISATION



EPA  
ORGANIZATION



PERSONAL  
EQUIPMENT



HEALTH & CARE  
CONSUMABLES

**-EUROSTAT-**

1 Rond-point du Général Eisenhower - Golf Park Bâtiment 1E - 31100 TOULOUSE - FRANCE  
Tel : +33 (0) 5 61 16 20 50 - info.fr@eurostatgroup.com

Eurostat is an official distributor of NIX, INC. and handles the Nikko-Rack brand

[www.eurostatgroup.com](http://www.eurostatgroup.com)

# PCB SOLUTIONS

NIKKO-RACK™  
THE BEST  
PARTNER FOR  
IMPROVING  
YOUR FACTORY

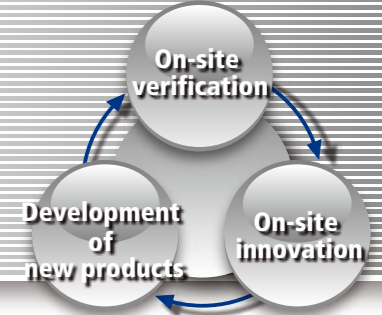
**-EUROSTAT-**

[www.eurostatgroup.com](http://www.eurostatgroup.com)





# Our innovative products created cooperating with customers improve their production process and resolve their problems.



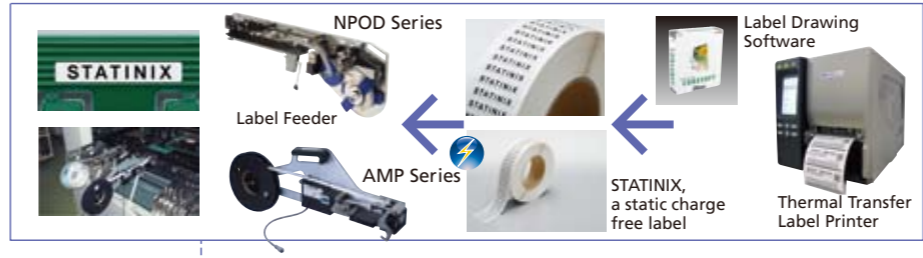
**Nikko-Rack™ Magazine Rack** **Printed Board Cleaner**



**Joint Tape**  
To connect tapes for mounting components

**Carrier Tape Tray NCAJ-SP**  
It is easy to adjust the width of tray for both carrier tape and emboss tape.

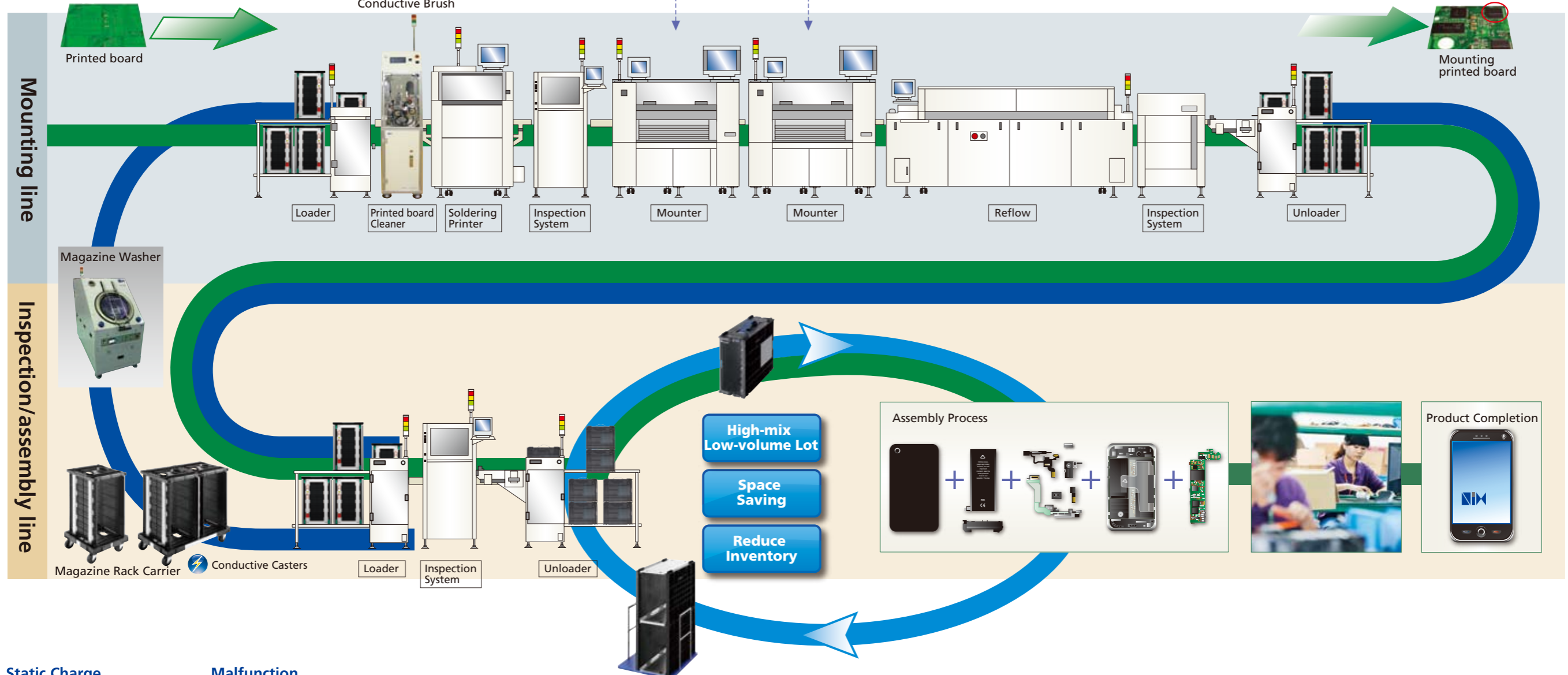
**Label Automatic Feeder**



**For semi-conductor production process**

We will develop in accordance with customer's needs.

- Wafer storage rack
- Wafer production system fixture
- Wafer tip inspection system fixture



**Smart Storage Rack**



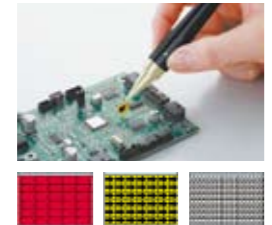
**Customized Rack**



**Static Charge Measure PET Label**



**Malfunction Indicator Mark**



**Ko-Rack**



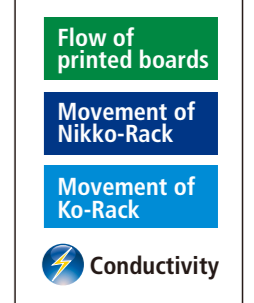
**Dust Cover**



**Base Cover**



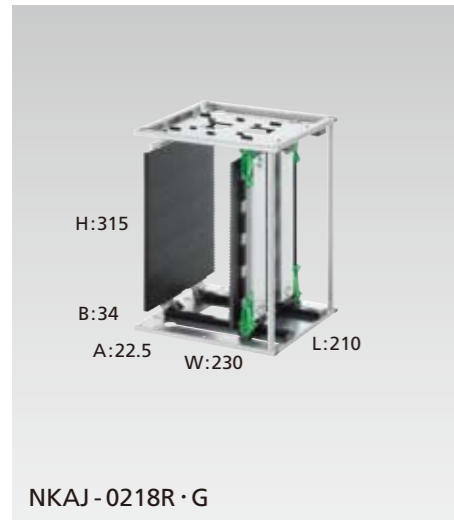
**Slot Stopper**



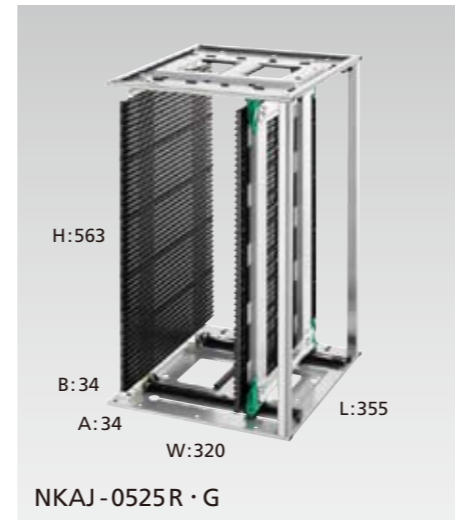
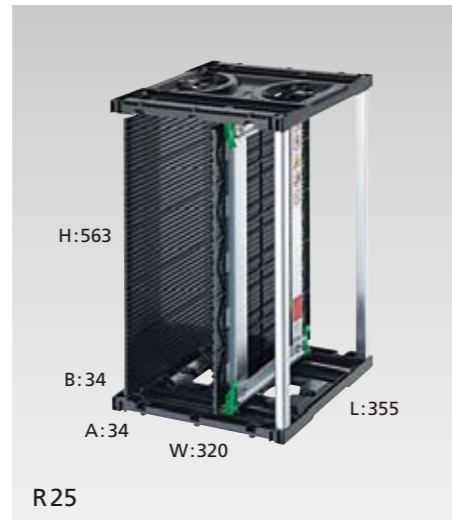
# The world top brand of Magazine Racks: Nikko-Rack™ series

Flexibly offering ideas and designs of custom products  
\*Please refer to page 6

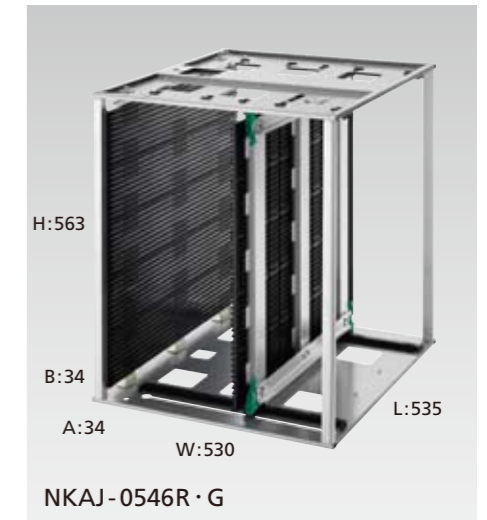
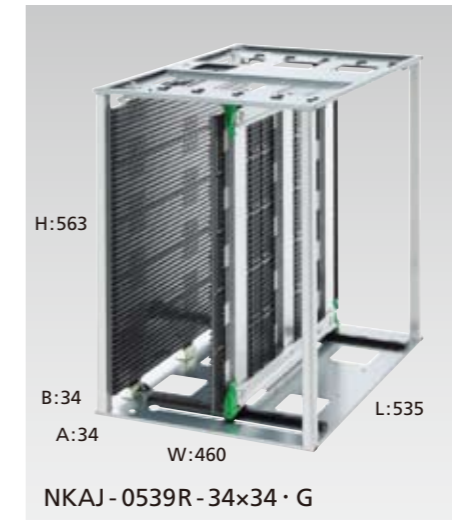
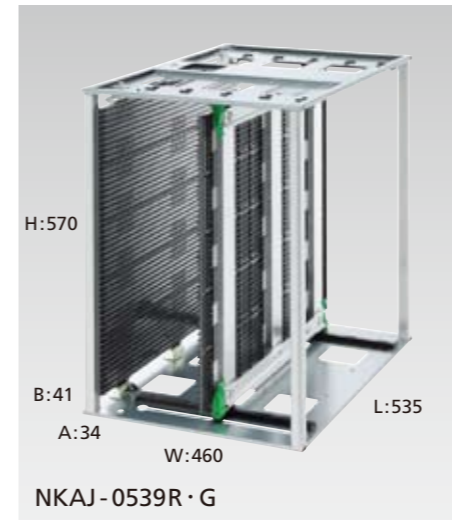
## S size



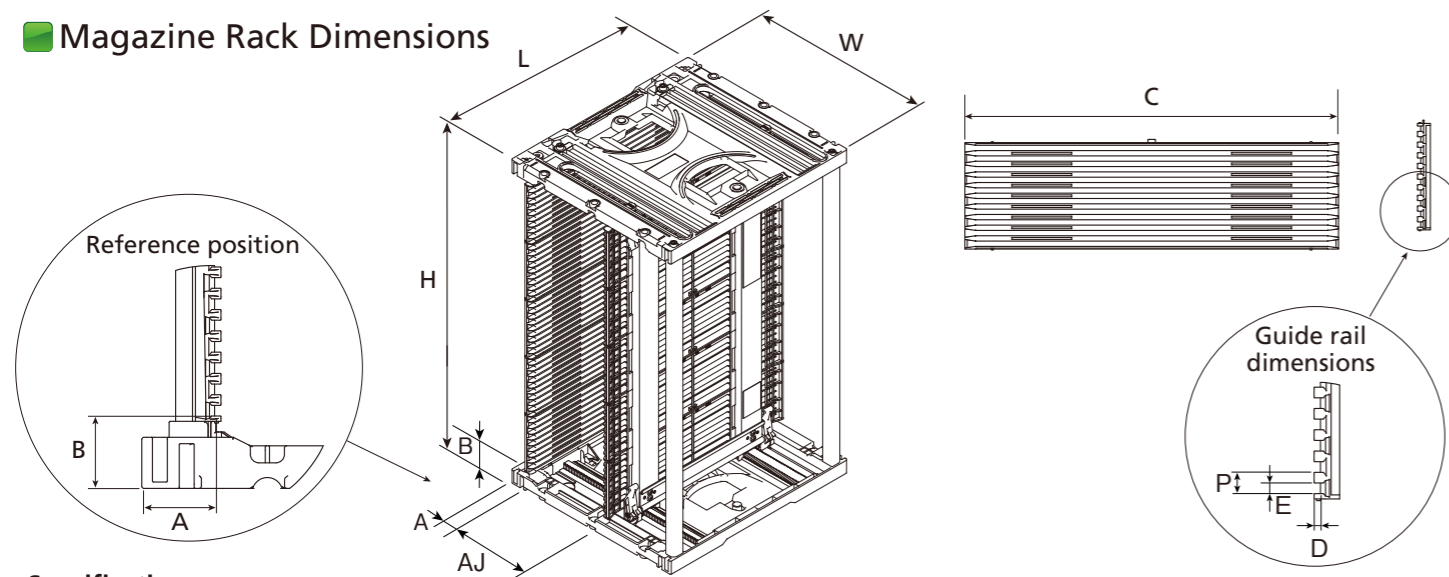
## M size



## L size

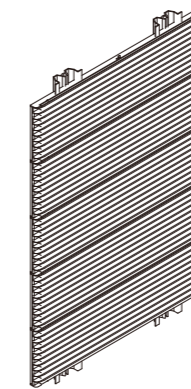


### Magazine Rack Dimensions

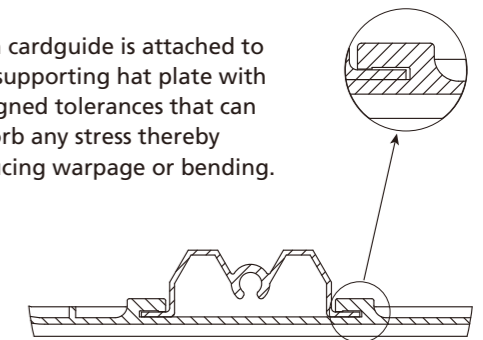


### Nikko-Rack Cardguides

The Nikko-Rack cardguides are assembled in five separate sections to add both strength and to simplify ease of replacement if needed.



Each cardguide is attached to the supporting hat plate with designed tolerances that can absorb any stress thereby reducing warpage or bending.



### Specifications

Model	Max Tolerant Temperature for the Cardguide (not to exceed)	Method for Width Adjustment	Outer Dimensions			Adjustable Width	Reference Position		Guide Rail Dimension				Number of PCB Capacity	Weight (kg)	Base Material	Availability in Reverse	Stopper Bar (optional)
			L (length)	W (width)	H (height)		A	B	C	D	E	P					
★NKAJ-0211N · G	60°C	R&P	160	160	395	20 - 110	22.5	34	159	2.5	3.5	8	40	1.9	Metal	×	L=383
★NKAJ-0211R-AL · G	135°C	R&P	260	165	270	20 - 110	20	34	255	1.5	3	4	50	1.6	Metal	×	L=258
NKAJ-0218R · G	135°C	R&P	210	230	315	20 - 180	22	34	209	2	2.5	5	50	1.7	Metal	○	L=303
N25	60°C	R&P	355	320	563	50 - 255	34	34	351	3	5	10	50	3.9	Plastic	○	L=548
R25	135°C	R&P	355	320	563	50 - 255	34	34	351	3	5	10	50	3.9	Plastic	○	L=548
SR25	165°C	R&P	355	320	563	50 - 255	34	34	351	3	5	10	50	3.9	Plastic	○	L=548
★T25	135°C	R&P	355	321	581	50 - 255	35	35	351	3	5	10	50	4.3	Plastic	×	L=561
NKAJ-0525N · G	60°C	R&P	355	320	563	50 - 255	34	34	351	3	5	10	50	5.2	Metal	○	L=557
NKAJ-0525R · G	135°C	R&P	355	320	563	50 - 255	34	34	351	3	5	10	50	5.2	Metal	○	L=557
NKAJ-0525SR · G	165°C	R&P	355	320	563	50 - 255	34	34	351	3	5	10	50	5.2	Metal	○	L=557
NKAJ-0525N3 · G	60°C	Screw	355	320	563	50 - 251	34	34	351	3	5	10	50	3.8	Plastic	○	L=548
NKAJ-0525R3 · G	135°C	Screw	355	320	563	50 - 251	34	34	351	3	5	10	50	3.8	Plastic	○	L=548
NKAJ-0525SR3 · G	165°C	Screw	355	320	563	50 - 251	34	34	351	3	5	10	50	3.8	Plastic	○	L=548

★ These items are customized.

\*All standard models are shipped partially assembled.

\*Conductive resistance of Magazine Rack is  $1 \times 10^3 < R_x < 1 \times 10 \Omega$  (based on NIX measurement method). Conductive resistance is different depending on model (Please contact us).

\*Recommended maximum width adjustment is -1mm shorter than "Adjustable width". \*Method for width adjustment "R&P" is one-touch adjustment type.

\*\*"R&P" type has AJ slope function to adjust width easily (Approximately in 5 seconds).

### Specifications

Model	Max Tolerant Temperature for the Cardguide (not to exceed)	Method for Width Adjustment	Outer Dimensions			Adjustable Width	Reference Position		Guide Rail Dimension				Number of PCB Capacity	Weight (kg)	Base Material	Availability in Reverse	Stopper Bar (optional)
			L (length)	W (width)	H (height)		A	B	C	D	E	P					
NKAJ-0531R · G	135°C	R&P	535	380	570	50 - 310	34	41	530	3	5	10	50	9.4	Metal	×	L=564
NKAJ-0531SR · G	165°C	R&P	535	380	570	50 - 310	34	41	530	3	5	10	50	9.4	Metal	×	L=564
★NKAJ-0531RE · G	135°C	R&P	535	380	570	50 - 310	34	41	509	2.8	4	12.5	40	11.4	Metal	×	L=564
NKAJ-0531R-34x34 · G	135°C	R&P	535	380	563	50 - 310	34	34	530	3	5	10	50	9.4	Metal	○	L=557
NKAJ-0531SR-34x34 · G	165°C	R&P	535	380	563	50 - 310	34	34	530	3	5	10	50	9.4	Metal	○	L=557
NKAJ-0733R · G	135°C	R&P	460	400	565	70 - 330	35	35	460	3	5	10	50	8.8	Metal	○	L=557
NKAJ-0733SR · G	165°C	R&P	460	400	565	70 - 330	35	35	460	3	5	10	50	8.8	Metal	○	L=557
NKAJ-0733R-34x34 · G	135°C	R&P	460	400	563	70 - 330	34	34	460	3	5	10	50	8.8	Metal	○	L=557
NKAJ-0733SR-34x34 · G	165°C	R&P	460	400	563	70 - 330	34	34	460	3	5	10	50	8.8	Metal	○	L=557
NKAJ-0539R · G	135°C	R&P	535	460	570	50 - 390	34	41	530	3	5	10	50	10.5	Metal	×	L=564
NKAJ-0539SR · G	165°C	R&P	535	460	570	50 - 390	34	41	530	3	5	10	50	10.5	Metal	×	L=564
NKAJ-0539R-34x34 · G	135°C	R&P	535	460	563	50 - 390	34	34	530	3	5	10	50	10.5	Metal	○	L=557
NKAJ-0539SR-34x34 · G	165°C	R&P	535	460	563	50 - 390	34	34	530	3	5	10	50	10.5	Metal	○	L=557
NKAJ-0546R · G	135°C	R&P	535	530	563	50 - 460	34	34	530	3	5	10	50	12.3	Metal	○	L=557
NKAJ-0546SR · G	165°C	R&P	535	530	563	50 - 460	34	34	530	3	5	10	50	12.3	Metal	○	L=557
NKAJ-0525R-G400	135°C	R&P	400	320	563	50 - 255	34	34	397	3	5	10	50	6.8	Metal	○	L=557
NKAJ-0531R-G400	135°C	R&P	400	380	563	50 - 310	34	34	397	3	5	10	50	7.6	Metal	○	L=557
NKAJ-0733R-G400	135°C	R&P	400	400	563	70 - 330	34	34	397	3	5	10	50	7.8	Metal	○	L=557

★ These items are customized.

\*All standard models are shipped partially assembled.

\*Conductive resistance of Magazine Rack is  $1 \times 10^3 < R_x < 1 \times 10 \Omega$  (based on NIX measurement method). Conductive resistance is different depending on model (Please contact us).

\*Recommended maximum width adjustment is -1mm shorter than "Adjustable width". \*Method for width adjustment "R&P" is one-touch adjustment type.

\*\*"R&P" type has AJ slope function to adjust width easily (Approximately in 5 seconds).

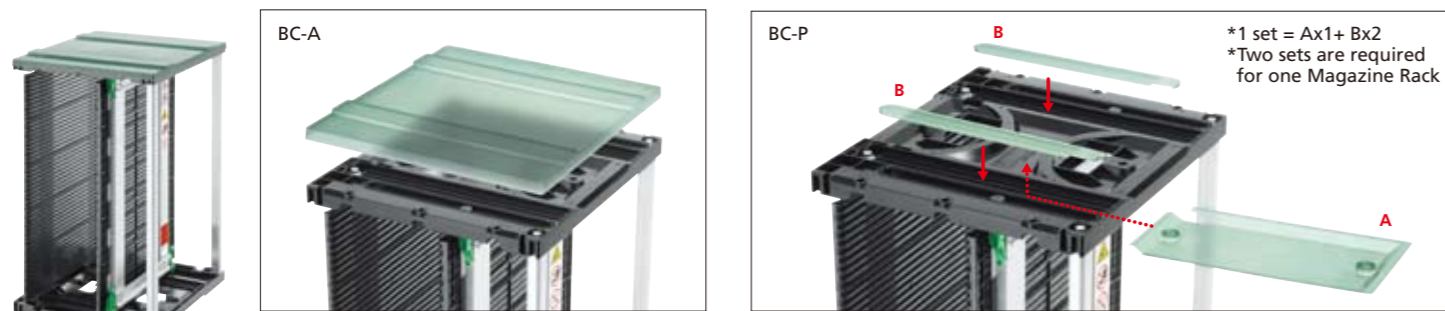


# Specialized products for every need we make.

## Optional items for Magazine Rack

### Base Cover

Keep dust away from PCB in Magazine Rack.




BC-A: Full Surface Type  
BC-P: Hole Cover Type

\*1 set = Ax1+ Bx2  
\*Two sets are required for one Magazine Rack

Model	BC-A	BC-P
Specification	Full Surface Type	Hole Cover Type
Applicable Magazine Rack	M size Magazine Rack	N25, R25, SR25(refer to p.3 of this catalog)
Features	Magazine Slip-prevention mechanism enables stacking (of two magazines.) *Stackable for N25, R25 & SR25.	Loader/unloader can be used with the base cover attached. (Be sure to check the present condition of the equipment being used.)

### Dust Cover

Protect PCB and Magazine Rack from dust and ESD.




Model	NA-1	NT-1
Specification	Conductivity (2.7 x 10 <sup>6</sup> Ω)	Preventing electric charge (1.4 x 10 <sup>11</sup> Ω)
Applicable Magazine Rack	M size Magazine Rack	
Features	Open/close with a magic tape Using double-sided conductive sheet.	Made of ESD free material. This is a basic model.

\*Measurement results only, not NIX guaranteed value.

### Slot Stopper


Fill in unused slots to avoid wrong insertion of PCBs.



Model	SLS-M
Specification	Preventing electric charge (10 <sup>11</sup> Ω or less)
Applicable Magazine Rack	R25, SR25 (refer to p.3 of this catalog)
Features	Prevent charging even in white with unique coloring

### Dolly

Dolly for Magazine Racks. Large size is also available.



Model	DA-0525-1	DA-0525-2
Specification	For 1 rack	For 2 racks
Applicable Magazine Rack	M size Magazine Rack	
Features	Conductive caster in use Various sizes are available	

## Customized Rack

### Ko-Rack

Compact size rack most suitable for reducing inventory, customer seeking for saving space and high-mix low-volume lot production!



Model	Adjustable Width	Outer Dimensions			Number of PCB Capacity	Optional Parts					
		L(length)	W(width)	H(height)		Auto Stopper	Rotation Stopper	Upper Handle	Side Plate for Card Holder	Full Side Cover	Spring Type Stopper Bar
K35-S	91 – 145	355	128.5 – 182.5	278	24	○	○	○	○	×	×
K35-B	144.5 – 251	355	182 – 288.5	278	24	○	○	○	○	×	○
K35-A	Assigned width	355	Printed board width+38.5	278	24	×	×	×	×	×	○
K35-AS	Assigned width	355	Printed board width+38.5	278	24	×	×	○	×	○	○

\*Recommended maximum width adjustment is -1mm shorter than "Adjustable width".

### Low Height Magazine Rack




Low profile rack most suitable for inventory reduction and space saving

- Most suitable for high-mix low-volume lot
- Since the height of cardguide is 100mm, Magazine height can be specified by 100mm increment.
- Light weight

Model	Outer Dimensions			Number of PCB Capacity	Stopper Bar (optional)
	L(length)	W(width)	H(height)		
R25-L2	355	320	163	10	L=148
R25-L4	355	320	263	20	L=248
R25-L6	355	320	363	30	L=348
R25-L8	355	320	463	40	L=448

•Storage pitch: 10 mm •Adjustable width: 50 to 255 mm

### Heat-Resistant Rack



Applicable to climate bath by being made with metal only.


- Gap between guide rails for excellent ventilation
- Exterior dimension and reference position are identical to M size
- Available to customize for different size PCBs and the storage capacity

Optional: Stopper Bar

Model	Adjustable Width	Outer Dimensions			Number of PCB Capacity
		L(length)	W(width)	H(height)	
NKLH-0525AL	50 – 250	355	320	562	50
NKLH-0525SU	50 – 250	355	320	562	50

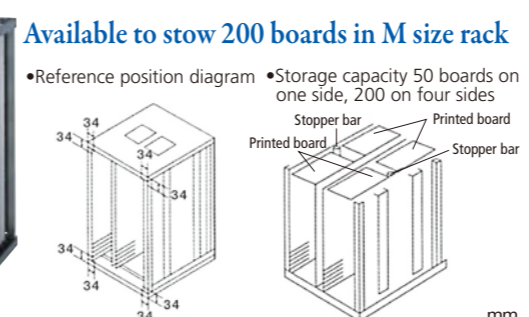
•Guide rail material: AL(aluminum), SU(stainless)

### Smart Storage Rack



Available to stow 200 boards in M size rack

- Reference position diagram
- Storage capacity 50 boards on one side, 200 on four sides



Model	Guide Rail (endurance temperature)	Outer Dimensions			Adjustable Width
		L(length)	W(width)	H(height)	
NKAJ-0310N3-WG	60°C or less	355	320	563	30 – 101
NKAJ-0310R3-WG	135°C or less	355	320	563	30 – 101
NKAJ-0310SR3-WG	165°C or less	355	320	563	30 – 101

### Example of development of Customized Rack

- Racks with RFID for raw printed board/car electronics field
- Rack with auto-stopper for car electronics field
- Rack with stopper open/close feature for industrial system field
- Under fill dry rack for smart phone field
- Rack for clean room for semi-conductor field
- Long Magazine Rack for LED industry
- Pitch selected card guide option.
- Selectable pitch (20,30,40,50 and 60 pitches)
- Ultra wear resistance card guide
- Non heat-resistance, no conductivity

# Replacement parts for Nikko-Rack™ series.

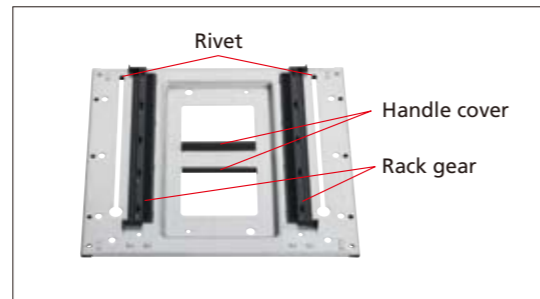
## Base



### Compatible replacement parts list

Magazine Rack Model	Base (including 2) B : Base P : Plastic Base M : Metal Base	Guide Rail (including 10) G : Guide Rail N, R, SR: Heat Resistance
NKAJ-0218R · G	BM-0218 *3	G-209R
N25	BP-R25	G-351N
R25	BP-R25	G-351R
SR25	BP-R25	G-351SR
NKAJ-0525N · G	BM-0525 *1	G-351N
NKAJ-0525R · G	BM-0525 *1	G-351R
NKAJ-0525SR · G	BM-0525 *1	G-351SR
NKAJ-0525N2 · G	BP-0525-2	G-351N
NKAJ-0525R2 · G	BP-0525-2	G-351R
NKAJ-0525SR2 · G	BP-0525-2	G-351SR
NKAJ-0525N3 · G	BP-0525-3	G-351N
NKAJ-0525R3 · G	BP-0525-3	G-351R
NKAJ-0525SR3 · G	BP-0525-3	G-351SR
NKAJ-0531R · G	BM-0531 *2	G-530R
NKAJ-0531SR · G	BM-0531 *2	G-530SR
NKAJ-0531R-34x34 · G	BM-0531 *2	G-530R
NKAJ-0531SR-34x34 · G	BM-0531 *2	G-530SR
NKAJ-0733R · G	BM-0733 *2	G-460YLR
NKAJ-0733SR · G	BM-0733 *2	G-460YLSR
NKAJ-0733R-34x34 · G	BM-0733 *2	G-460YLR
NKAJ-0733SR-34x34 · G	BM-0733 *2	G-460YLSR
NKAJ-0539R · G	BM-0539 *2	G-530R
NKAJ-0539SR · G	BM-0539 *2	G-530SR
NKAJ-0539R-34x34 · G	BM-0539 *2	G-530R
NKAJ-0539SR-34x34 · G	BM-0539 *2	G-530SR
NKAJ-0546R · G	BM-0546 *2	G-530R
NKAJ-0546SR · G	BM-0546 *2	G-530SR

\*1: With rack gear, handle cover, rivet \*2: With rack gear, rivet \*3: With rack gear  
\*Please contact us for compatible replacement part not listed above.



Accessories description (\*1, \*2, \*3)

## Card Guide



## Corner Joint

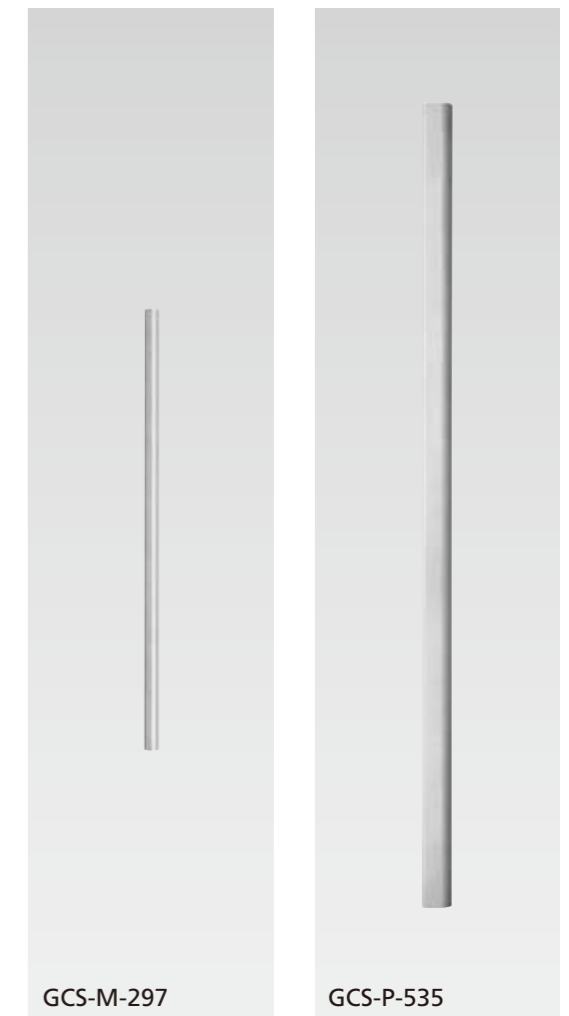


### Compatible replacement parts list

Magazine Rack Model	Corner Joint (including two each) LLCJ: Lock Lever Corner Joint M: For Metal Base P : For Plastic Base L : Left R: Right	Guide Channel (*1 includes 2, *2 includes 4) GCS: Guide Channel M: For Metal Base P : For Plastic Base
NKAJ-0218R · G	LLCJ-ML, LLCJ-MR	GCS-M-297 *1
N25	LLCJ-R25L, LLCJ-R25R	GCS-P-535 *1
R25	LLCJ-R25L, LLCJ-R25R	GCS-P-535 *1
SR25	LLCJ-R25L, LLCJ-R25R	GCS-P-535 *1
NKAJ-0525N · G	LLCJ-ML, LLCJ-MR	GCS-M-545 *1
NKAJ-0525R · G	LLCJ-ML, LLCJ-MR	GCS-M-545 *1
NKAJ-0525SR · G	LLCJ-ML, LLCJ-MR	GCS-M-545 *1
NKAJ-0525N2 · G	LLCJ-PL, LLCJ-PR	GCS-P-535 *1
NKAJ-0525R2 · G	LLCJ-PL, LLCJ-PR	GCS-P-535 *1
NKAJ-0525SR2 · G	LLCJ-PL, LLCJ-PR	GCS-P-535 *1
NKAJ-0525N3 · G	—	GCS-P-535 *1
NKAJ-0525R3 · G	—	GCS-P-535 *1
NKAJ-0525SR3 · G	—	GCS-P-535 *1
NKAJ-0531R · G	LLCJ-ML, LLCJ-MR	GCS-M-552 *2
NKAJ-0531SR · G	LLCJ-ML, LLCJ-MR	GCS-M-552 *2
NKAJ-0531R-34x34 · G	LLCJ-ML, LLCJ-MR	GCS-M-545 *2
NKAJ-0531SR-34x34 · G	LLCJ-ML, LLCJ-MR	GCS-M-545 *2
NKAJ-0733R · G	LLCJ-ML, LLCJ-MR	GCS-M-547 *2
NKAJ-0733SR · G	LLCJ-ML, LLCJ-MR	GCS-M-547 *2
NKAJ-0733R-34x34 · G	LLCJ-ML, LLCJ-MR	GCS-M-545 *2
NKAJ-0733SR-34x34 · G	LLCJ-ML, LLCJ-MR	GCS-M-545 *2
NKAJ-0539R · G	LLCJ-ML, LLCJ-MR	GCS-M-552 *2
NKAJ-0539SR · G	LLCJ-ML, LLCJ-MR	GCS-M-552 *2
NKAJ-0539R-34x34 · G	LLCJ-ML, LLCJ-MR	GCS-M-545 *2
NKAJ-0539SR-34x34 · G	LLCJ-ML, LLCJ-MR	GCS-M-545 *2
NKAJ-0546R · G	LLCJ-ML, LLCJ-MR	GCS-M-545 *2
NKAJ-0546SR · G	LLCJ-ML, LLCJ-MR	GCS-M-545 *2

\*1: With screw, flat washer \*2: With reinforcement plate, screw  
\*Please contact us for compatible replacement part not listed above.

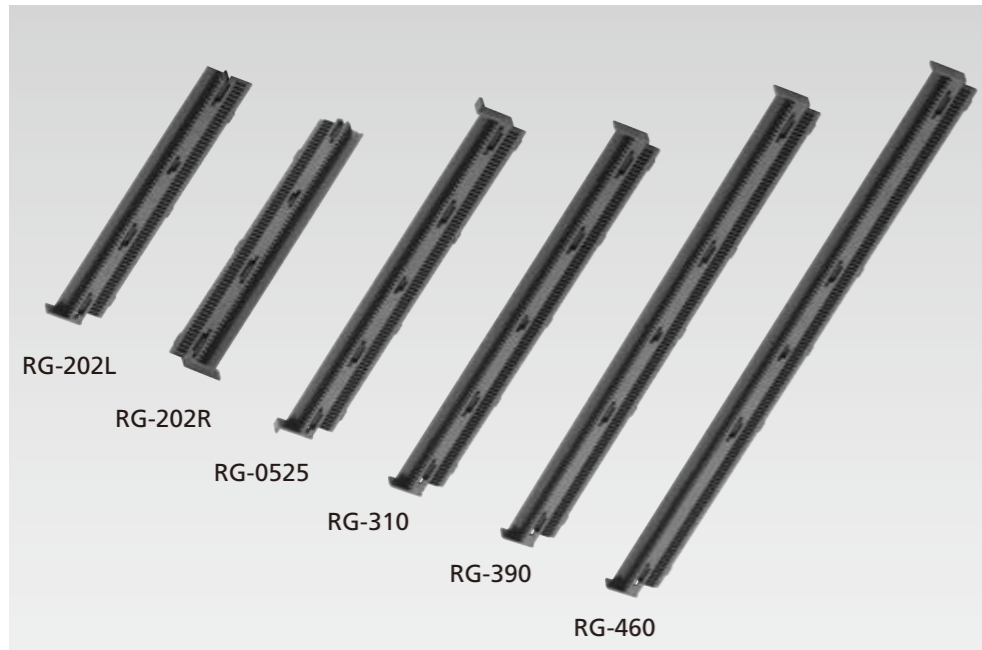
## Guide Channel





# Replacement parts for Nikko-Rack™ series.

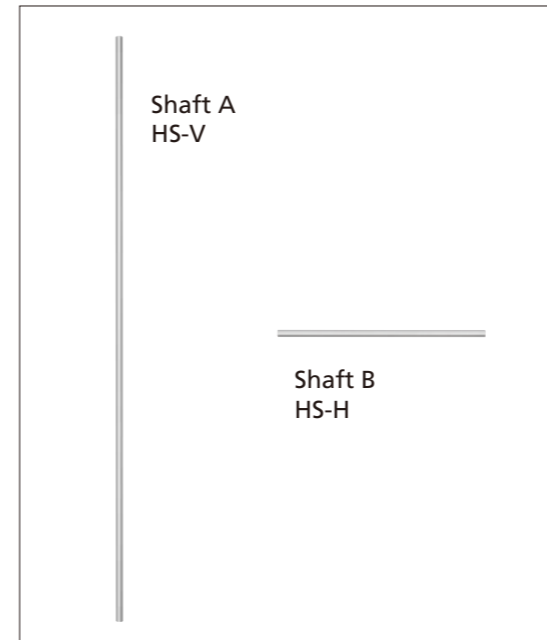
## Rack Gear



## Hat Plate



## Shaft



## Pinion Gear



## Spring Type Stopper Bar(optional)



### Compatible replacement parts list

Magazine Rack Model	Rack Gear (*1 includes 2 *2 includes 4)	Hat Plate (*1 includes 2 *2 includes 4 *3 includes 6)	Hat Plate SX (including 2)	Hat Plate Joint (including 2) HPJ: Hat Plate Joint
	RG: Rack Gear	HP: Hat Plate	HPSX: Hat Plate SX	
NKAJ-0218R · G	RG-202-L, RG-202-R *1	HP-0218 *2	—	—
N25	—	HP-L500 *1	HPSX-L535	HPJ-0525
R25	—	HP-L500 *1	HPSX-L535	HPJ-0525
SR25	—	HP-L500 *1	HPSX-L535	HPJ-0525
NKAJ-0525N · G	RG-0525 *2	HP-L500 *2	—	HPJ-0525
NKAJ-0525R · G	RG-0525 *2	HP-L500 *2	—	HPJ-0525
NKAJ-0525SR · G	RG-0525 *2	HP-L500 *2	—	HPJ-0525
NKAJ-0525N2 · G	—	HP-L500 *1	HPSX-L535	HPJ-0525
NKAJ-0525R2 · G	—	HP-L500 *1	HPSX-L535	HPJ-0525
NKAJ-0525SR2 · G	—	HP-L500 *1	HPSX-L535	HPJ-0525
NKAJ-0525N3 · G	—	HP-L500 *1	—	HPJ-0525
NKAJ-0525R3 · G	—	HP-L500 *1	—	HPJ-0525
NKAJ-0525SR3 · G	—	HP-L500 *1	—	HPJ-0525
NKAJ-0531R · G	RG-310 *2	HP-L507 *3	—	HPJ-530
NKAJ-0531SR · G	RG-310 *2	HP-L507 *3	—	HPJ-530
NKAJ-0531R-34x34 · G	RG-310 *2	HP-L500 *3	—	HPJ-530
NKAJ-0531SR-34x34 · G	RG-310 *2	HP-L500 *3	—	HPJ-530
NKAJ-0733R · G	RG-310 *2	HP-L502 *3	—	HPJ-0733
NKAJ-0733SR · G	RG-310 *2	HP-L502 *3	—	HPJ-0733
NKAJ-0733R-34x34 · G	RG-310 *2	HP-L500 *3	—	HPJ-0733
NKAJ-0733SR-34x34 · G	RG-310 *2	HP-L500 *3	—	HPJ-0733
NKAJ-0539R · G	RG-390 *2	HP-L507 *3	—	HPJ-530
NKAJ-0539SR · G	RG-390 *2	HP-L507 *3	—	HPJ-530
NKAJ-0539R-34x34 · G	RG-390 *2	HP-L500 *3	—	HPJ-530
NKAJ-0539SR-34x34 · G	RG-390 *2	HP-L500 *3	HPSX-L535	HPJ-530
NKAJ-0546R · G	RG-460 *2	HP-L500 *3	HPSX-L535	HPJ-530
NKAJ-0546SR · G	RG-460 *2	HP-L500 *3	HPSX-L535	HPJ-530



### Compatible replacement parts list

Magazine Rack model	Shaft A (including 2) HS: Hexagon shaft V: For vertical	Shaft B (including 2) HS: Hexagon shaft H: For horizontal	Pinion Gear (including 8) PG: Pinion Gear	Spring Type Stopper Bar (optional) S: Stopper Bar L: Length
NKAJ-0218R · G	HS-V-0218	HS-H-0218	PG-P	S-L303
N25	HS-V-0525	HS-H-0525	PG-P	S-L548
R25	HS-V-0525	HS-H-0525	PG-P	S-L548
SR25	HS-V-0525	HS-H-0525	PG-P	S-L548
NKAJ-0525N · G	HS-V-0525	HS-H-0525	PG-P	S-L557
NKAJ-0525R · G	HS-V-0525	HS-H-0525	PG-P	S-L557
NKAJ-0525SR · G	HS-V-0525	HS-H-0525	PG-P	S-L557
NKAJ-0525N2 · G	HS-V-0525	HS-H-0525	PG-P	S-L548
NKAJ-0525R2 · G	HS-V-0525	HS-H-0525	PG-P	S-L548
NKAJ-0525SR2 · G	HS-V-0525	HS-H-0525	PG-P	S-L548
NKAJ-0525N3 · G	—	—	—	S-L548
NKAJ-0525R3 · G	—	—	—	S-L548
NKAJ-0525SR3 · G	—	—	—	S-L548
NKAJ-0531R · G	HS-V-3139	HS-H-313946	PG-P	S-L564
NKAJ-0531SR · G	HS-V-3139	HS-H-313946	PG-P	S-L564
NKAJ-0531R-34x34 · G	HS-V-0525	HS-H-313946	PG-P	S-L557
NKAJ-0531SR-34x34 · G	HS-V-0525	HS-H-313946	PG-P	S-L557
NKAJ-0733R · G	HS-V-0733	HS-H-0733	PG-P	S-L557
NKAJ-0733SR · G	HS-V-0733	HS-H-0733	PG-P	S-L557
NKAJ-0733R-34x34 · G	HS-V-0525	HS-H-0733	PG-P	S-L557
NKAJ-0733SR-34x34 · G	HS-V-0525	HS-H-0733	PG-P	S-L557
NKAJ-0539R · G	HS-V-3139	HS-H-313946	PG-P	S-L564
NKAJ-0539SR · G	HS-V-3139	HS-H-313946	PG-P	S-L564
NKAJ-0539R-34x34 · G	HS-V-0525	HS-H-313946	PG-P	S-L557
NKAJ-0539SR-34x34 · G	HS-V-0525	HS-H-313946	PG-P	S-L557
NKAJ-0546R · G	HS-V-0525	HS-H-313946	PG-P	S-L557
NKAJ-0546SR · G	HS-V-0525	HS-H-313946	PG-P	S-L557

\*Optional part. Not attached to Magazine Rack.

9 \*Please contact us for compatible replacement part not listed above.

\*Please contact us for compatible replacement part not listed above.